

VISION-3 LIGHTING

MR16 Square Well Light **MODEL IG1**
 12V 20W Max., MR16 Halogen
 12V 8W Max., COB LED w/ Driver

Specifications

Housing

Cast C84400 bronze collar attached to an ABS plastic housing using 18-8 stainless steel hardware.

Lamp Holder

Machined 6061-T6 aluminum cap attached to a machined 6061-T6 aluminum body using one 18-8 stainless steel set screw, and sealed with a high temperature silicone O-ring. Cap and body are black anodized. Cap accepts two internal accessories, held in place by a stainless steel clip. Lamp holder is supplied with 6' of cable. Cable exit sealed with a water tight strain relief fitting.

Aiming

Lamp holder is attached to 304 stainless steel bracketry, allowing full 360° rotational, and ±19° vertical aiming. Bracketry is mounted to C84400 cast bronze collar, allowing adjustment with faceplate removed. 18-8 stainless steel hardware locks lamp holder in place after adjustment.

Faceplate

Cast C84400 bronze faceplate available in standard or slotted option. Both faceplates available with Tamper Proof option (with 18-8 stainless steel mount hardware) or Non-Tamper Proof option (without mount hardware).

Finish

TGIC thermo set polyester powder coat paint available in 14 standard colors. Also available in two additional bronze metal finishes: Natural and Aged.

Lens

Tempered, clear lens, secured to cap with a high temperature, UV curing, silicone adhesive. Stepped, flush lens reduces collection of water and debris on the lens.

Socket

GY-6.35 porcelain socket with 600V, 250°C, PTFE coated 18 ga leads (for MR16 Halogen and Retrofit MR16 LED options).

Light Engine

COB LED w/ Integral Driver: 13.5mm COB LED and integral low voltage driver allows for choice of light output (400lm, 700lm, or 1000lm), color temperature (2700K, 3000K, 3500K, 4000K), CRI (80, 90), and optics (15°, 24°, 36°, 55°, 65°). Integral LED driver features include: 12VAC input (+/- 10%), ELV and MLV phase dimming (contact V3 for dimmer compatibility), high power factor > 0.9, internal protection (short circuit, overload, thermal, auto-reset), and an L70 > 40,000 hrs. COB LED and driver components are field replaceable and upgradeable to simplify future repairs and upgrades.

MR16 Halogen: 12V bi-pin up to 20W. Lamp supplied by others.

Retrofit MR16 LED: 12V 7.5W (600lm) bi-pin retrofit Soraa™ MR16 LED lamp with specially engineered heat sink mount to ensure proper heat transfer to body. Note: Retrofit LED will overheat without supplied heat sink mount.

Certification

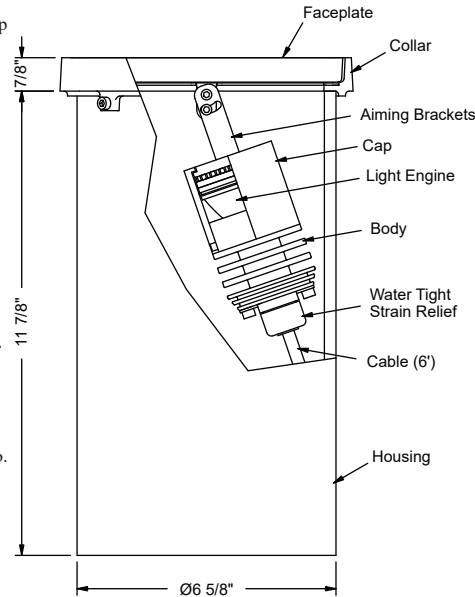
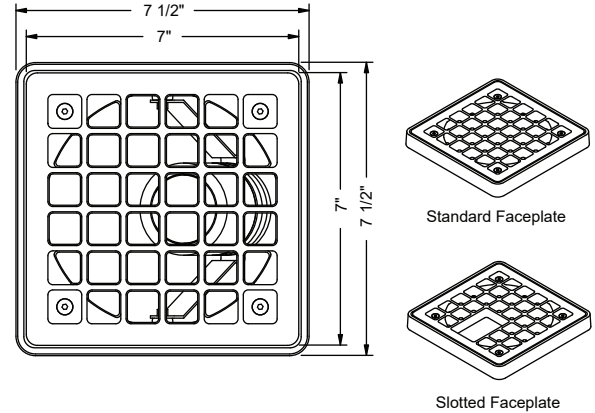
CSA tested & certified to US and Canadian safety standards for the following applications:

Wet location landscape use (UL1838):

IG1B - 20W Max. MR16 Halogen lamp.

LED options can be used in all models and applications.

All ratings subject to change without notice. See website or contact V3 for most current info.



Ordering Information

IG1B		Faceplate	Light Engine	Lens Accy	Louwer
Model	IG1B - Cast Bronze	Standard:	COB w/ Integral Driver: ¹	0 - None	0 - None
Finish		TP - Tamper Proof (w/ mount screws)	LE2 - XXXX - X - XX - XX	L1 - Spread	H1 - Hex
Powder Coat Finishes:		NTP - Non-Tamper Proof (w/o mount screws)	Lumen Output	L2 - Linear	
BLT - Textured Black	BL - Black	Slotted:	0400 - 4W, 400lm	L3 - Softening	
BNT - Textured Bronze	BN - Bronze	STP - Tamper Proof (w/ mount screws)	0700 - 8W, 700lm		
BAT - Textured Bark	WI - White	SNTP - Non-Tamper Proof (w/o mount screws)	1000 - 8W, 1000lm		
GRT - Textured Green	SI - Silver				
GNT - Textured Granite	GY - Grey				
SAT - Textured Sand	BE - Beige				
PAT - Textured Patina					
EAT - Textured Earth					
Metal Finishes:			MR16 Halogen:		
NAT - Natural (IG1B only)			0 - None (lamp by others)		
AGE - Aged (IG1B only)			Retrofit MR16 LED (3000K, 90 CRI): ^{1,2}		
			155 - 7.5W, 10°		
			156 - 7.5W, 25°		
			157 - 7.5W, 36°		

Notes:

1. Only power LED/COB lamp options with approved transformers (contact V3 for transformer and dimmer compatibility info).
2. Use only approved Retrofit MR16 LED lamps and supplied heat sink mount, otherwise LED may overheat.
3. Specifications, certifications, and ordering information are subject to change. Please check website for latest specification sheets.

Example: **IG1B - NAT - TP - LE2-0400-9-30-36 - 0 - H1**